

8 7 6 5 4 3 2 1

D

D

C

C

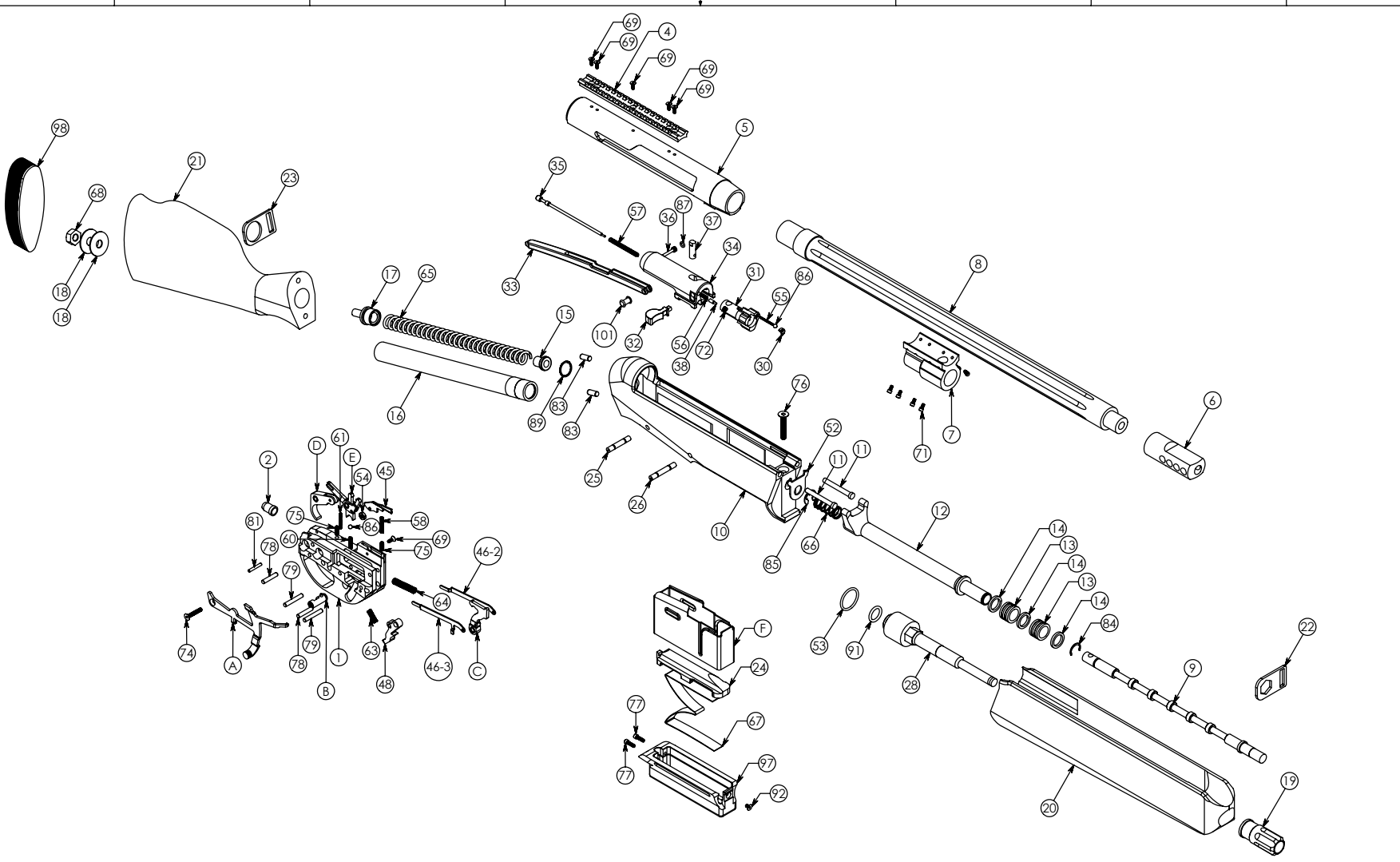
B

B

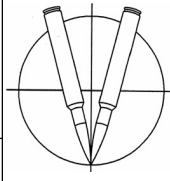
A

A

8 7 6 5 4 3 2 1



PROPRIETARY AND CONFIDENTIAL: THE INFORMATION CONTAINED IN THIS DRAWING IS THE SOLE PROPERTY OF VIGILANCE RIFLES. ANY REPRODUCTION IN PART OR AS A WHOLE WITHOUT THE WRITTEN PERMISSION OF VIGILANCE RIFLES IS PROHIBITED.



Vigilance Rifles

VR1

TOLERANCES
UNLESS OTHERWISE NOTED
DECIMALS ANGLES DIMENSIONS
X.XXX±0.005 ± 1/2" IN INCHES
X.XX±0.010 ± 1/2" IN INCHES
X.X±0.025 DO NOT SCALE DRAWING

DRAWN T. LORE		DATE 10/14/06	PART NO. 01-5001	REV A
APPROVED	DATE			
CHECKED	DATE	SHEET 1 of 1	SIZE B	SCALE NTS
				PLOT DATE 10/14/06

MATERIAL
FINISH
HEAT TREAT